

R09

Code No: 54017

JAWAHARLAL NEHRU TECHNOLOGICAL UNIVERSITY HYDERABAD
B.Tech II Year II Semester Examinations, May - 2016

MACHINE DRAWING
(Common to ME, AME, MSNT)

Time: 3 hours

Max. Marks: 75

Answer any TWO questions from Part-A
Part-B is Compulsory

PART-A

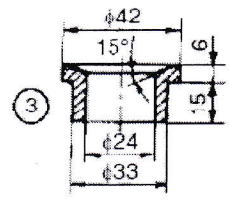
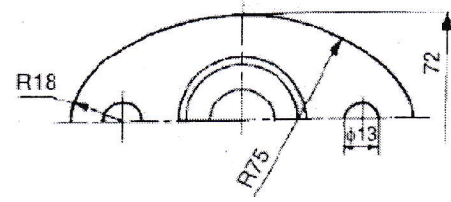
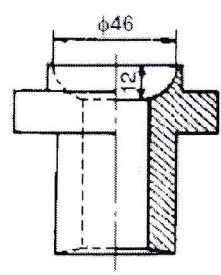
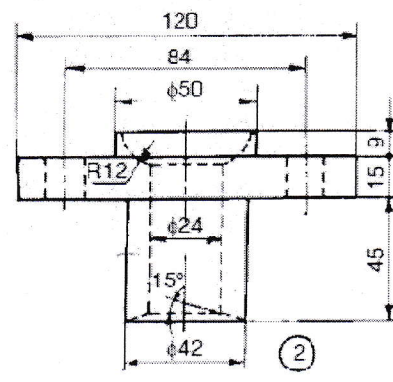
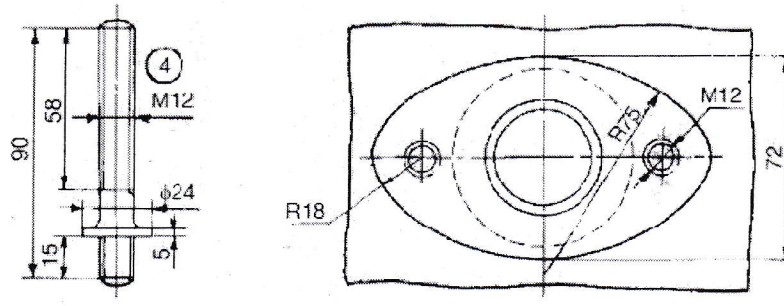
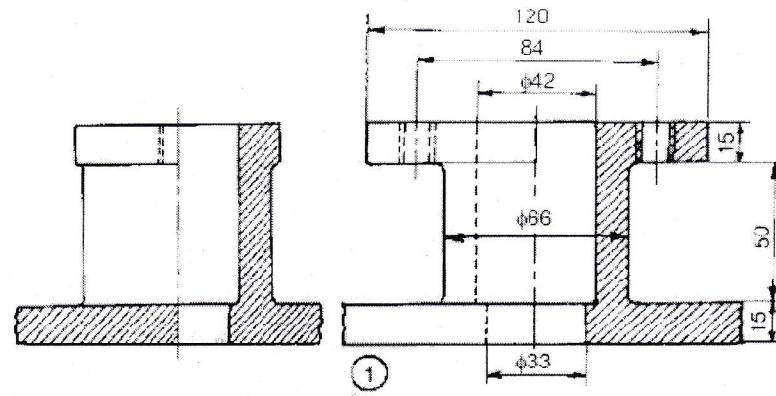
(30 Marks)

1. Sketch the conventional representation of the following materials:
a) steel b) Lead c) glass d) porous metal. [10]
2. Sketch the conventional representation of the following:
a) External threads b) Internal threads c) splined shaft d) Bearing. [10]
3. Sketch the sectional view from the front and view from the side of a buff-muff coupling, indicating proportions for connecting two shafts, each of diameter 30 mm. [10]

PART-B

(45 Marks)

4. The details of stuffing box given in the following. Draw the following assembled views?
a) half sectional front view (left half in section)
b) Top view
c) Side view.
All dimensions are in mm. [45]



Parts list

Part No.	Name	Matl	Qty
1	Body	CI	1
2	Gland	Brass	1
3	Bush	Brass	1
4	Stud	MS	2
5	Nut, M12	MS	2

Fig. 18.1 Stuffing box

---ooOoo---